

Features

- Universal Input 100~240VAC 50/60Hz
- Approved to:
cULus/UKCA/CB/FCC/CE/TUV/CB/PSE
- IEC 60601-1-2:2014(ED 4.0) Safety Approved
- Means of Protection: 2 X MOPP
- Meets Efficiency Level VI
- Single Output to 12~24V DC
- Regulated Output with Low Ripple Noise



Ideal Power's 44ATM300T-Pxyz 300W AC/DC External Desktop Power Supply (PSU) Series are certified to cULus / UKCA / CB / PSE / FCC / CE / TUV / RoHS / REACH & IEC 60601-1-2:2014(ED 4.0) Standards and comply with (EU) 2019/1782, Level VI Efficiency Regulations. These are primarily used in Medical, ITE, Audio & Video Industries and customised solutions are available upon request.

Models

Model Number	RS Part Number	Output Voltage	Output Current	Output Power
44ATM300T-P120-RS	229-7885	12V DC	25A	300W
44ATM300T-P240-RS	229-7886	24V DC	12.5A	300W

General Specification

Type	Switched Mode Power Supply
Input Connector	IEC 320-C14
Output Connection	8 Pin Molex 39-01-2080
Number of Outputs	1
Energy Efficiency Level	VI
Mounting Style	Desktop
MTBF	300,000 hours calculated at 25°C, by Telcoria SR-332
Power Indicator	LED Indicator for power on
Cable Length	1000mm(±30mm)
Cable Type	16AWG/18AWG (Depending on model)
Medical Approved	Yes

Mechanical Specifications

Housing Material	Fully Enclosed Plastic Case
Overall Dimensions	254mm x 116mm x 47mm
Overall Length	254mm
Overall Depth	116mm
Overall Width	47mm
Weight	1600g

Input Specifications

Rated Input Voltage	100~240Vac ($\pm 10\%$)
Rated Frequency	50/60Hz
Efficiency Level VI	Level VI / Efficiency (EU) 2019/1782
Input Current	3.5A-1.5A
Inrush Current	150A Max. / 230Vac (Cold Start At 25°C, Full Load)
Touch Current	Less than 100 μ A
Input Protection	Internal Primary Current Fuse

Output Specifications

Output Regulation	$\pm 5\%$
Ripple & Noise (max.)	1% Vp-p Max. for Output Voltage @ Full Load
Voltage Tolerance	$\pm 5\%$
Load Regulation	$\pm 5\%$
No Load Power Consumption	<0.21W
Hold-up Time	10mS @ Full Load
Transient Response	0.5mS for 50% Load Change (Typical)
Number of Outputs	1
Insulation Class	I
Dielectric Strength	Primary to Secondary 4,000Vac for 1 Minutes
Isolation Resistance	10M Ω for 500Vdc
Over Circuit Protection	Auto-recovery
Over Voltage Protection	V out * 150% MAX., latch off
Over Current Protection	I out * 170% MAX., auto-recovery

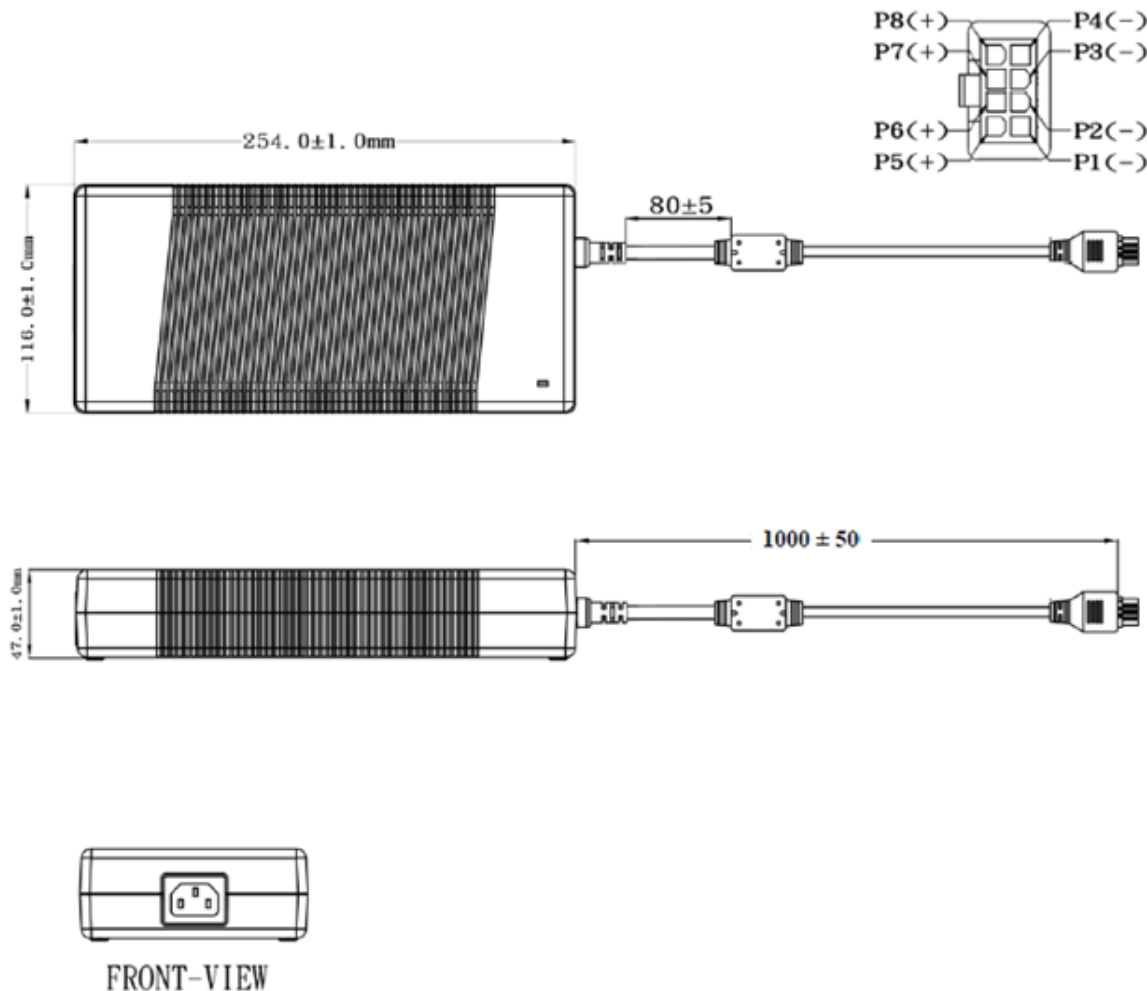
Protection Category

Means of Protection	2 X MOPP
---------------------	----------

Approvals

Compliance/Certifications	CB / cULus/ FCC / CE / UKCA / T-mark / TUV / PSE
Safety Standard	IEC/EN/ANSI/AAMI ES 60601-1
EMC Emission:	FCC Part 18 FCC MP-5 IEC 60601-1-2: 2014 EN 60601-1-2: 2015 IEC 61000-4-2: 2008; EN 61000-4-2: 2009 IEC 61000-4-3: 2006 + A1: 2007 + A2: 2010; EN 61000-4-3: 2006 + A1: 2008 + A2: 2010 IEC 61000-4-4: 2012; EN 61000-4-4: 2012 IEC 61000-4-5: 2014; EN 61000-4-5: 2014 IEC 61000-4-6: 2013; EN 61000-4-6: 2014 IEC 61000-4-8: 2009; EN 61000-4-8: 2010 IEC 61000-4-11: 2004; EN 61000-4-11: 2004 IEC 61000-3-2: 2014; EN 61000-3-2: 2014 IEC 61000-3-3: 2013; EN 61000-3-3: 2013

Mechanical Drawing



AC – DC